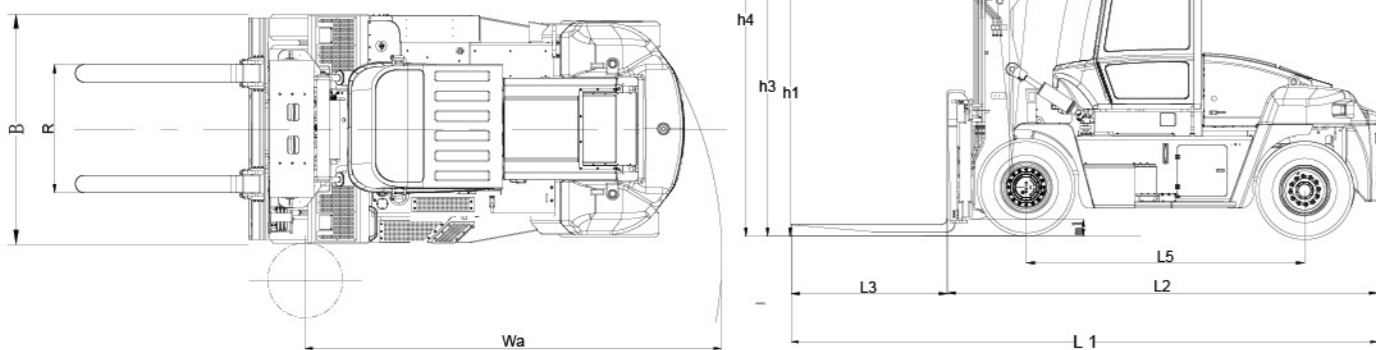
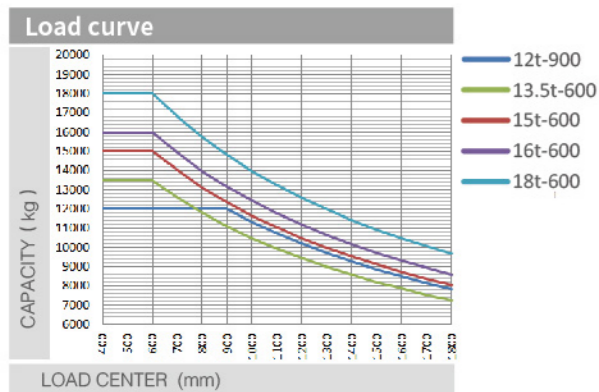




Standard Configuration			
Wide view mast	Hydraulic fork positioner	Hydraulic oil level gauge	Variable system
Standard fork	Electric horn	Four-piece control valve	Durable tire with decorative pattern
Steering indicator	Air conditioning	Tilt self-lock valve	Tile and adjustable steering column
Back-up mirror	Tilting cab	Fully-hydraulic powered steering	Traction pin
Front combination lamp	Reversing radar	Oil filter of hydraulic oil loop	Driver's tool
Rear combination lamp	Reversing image	Full suspension seat	
Rotary warning lamp	Motor speed torque control	FICS information and locking function	
Reversing buzzer	Lowering buffer function with load	Screen reserved for motor start stop Control	
Back-up lamp	Intelligent start and stop when motor	Thermal management control	
LCD	Standby	Intelligent fire fighting system	
Truck mode setting (high efficient, economical)	Speed limit function	Aviation operating handle	

Optional Devices and Accessories			
Common solid tyre	String rod	Fork extension	Crane jib
User designated color	Weighing system	Reversing horn speaker	Slings
Maintenance reminder	Traceless tyre	Rotator	
Tyre clip	胎压监控系统	Bale clamp	



HELI



The maintenance of spot check is convenient and efficient

Rotary integrated cooling system

Through the self reset spring lock, the integrated radiator can be quickly opened to maximize the maintenance space of the cooling system and improve the convenience.

Large angle hood

The lithium battery hood can be quickly and safely lift through self-locking gas spring.

Cab electric tipping system

The cab electric tipping hydraulic system enables the cab to turn 60° to the right to offer large maintenance space.

- Our products are constantly updated and improved. Parameters and design are subject to change without prior notice.
- The configuration and color of the products in figures may be different from the actual delivered model. Please in kind prevails.



ANHUI HELI CO., LTD.
Add / No.668, FangXing Road, Hefei, China
Fax / +86-551-63639966

Tel / +86-551-63639068(America); 63639258(Europe);
63639358(Asia); 63662105(Africa & Middle East);
63639530(Key Accounts division); 63662105(Wheel loader)

HELI

12-18t

G series Lithium Battery Counterbalance Forklift Truck



G SERIES 12-18T

Performance specifications						
Model		CPD120-GATZLI-09	CPD135-GATZLI-06	CPD150-GATZLI-06	CPD160-GATZLI-06	CPD180-GATZLI-06
Rated capacity	t	12	13.5	15	16	18
Load center	mm	900	600			
Max.Lifting speed (unloaded/loaded)	mm/s	320/340				
Max.Travelling speed(loaded/unloaded)	km/h	17/19				
Max. Gradeability(loaded/unloaded)	%	25				20
Size parameters						
Overall length	L	mm	6705			
Overall width	W	mm	2560			
Overall height	H	mm	3365			
Wheelbase	L2	mm	3250			
Minimum underground clearance	H2	mm	260			
Seat height	H4	mm	1970			
Turning radius(outside)	R2	mm	4500			
Front track	W1	mm	1888			
Rear track	W2	mm	2120			
Mast height (retracted/extended)	H/H1	mm	3365/4865			
Mast lifting height	H3	mm	3000			
Mast tilting angle (forward/backward)	α/β	deg	6/12			
Fork dimension (length*width*thickness)	mm	1820×200×85				
Fork adjusting range	mm	500-2370				
Lithium battery brand	ENEROC					
Voltage/Capacity	531.3V/302Ah					
CPD120	●					
CPD135	●					
CPD150	●					
CPD160	●					
CPD180	●					
Charger	HUAWEI120KW750V					○
	HUAWEI60KW750V					○
Note: ● Standard ○ Optional						

CPD120-180 Basic type mast

Mast type	Max.lift height	Load capacity(kg)					Overall height (mm)	Tilt angle (F/B)
M300	3000	12000	13500	15000	16000	18000	3365	6°/12°
M350	3500	12000	13500	15000	16000	18000	3450	6°/12°
M400	4000	12000	13500	15000	16000	18000	3700	6°/12°
M450	4500	12000	13500	15000	16000	18000	3950	6°/12°
M500	5000	12000	13500	15000	16000	18000	4200	6°/16°
M550	5500	11000	12500	14000	15000	17000	4450	3°/16°
M600	6000	10000	11500	13000	14000	16000	4700	3°/16°
M650	65090	9000	10500	12000	13000	15000	4950	3°/16°

www.heliforklift.net